

# SCOTSMAN

MODULAR ICE STORAGE BINS

## BH260, BH375



### VOLUME STORAGE – AMPLE ICE RESERVE

- BH260 holds 200 pounds per ARI Standard 820-95 and the BH375 holds 310 pounds per ARI Standard 820-95
- Ideal for CME306 & CME456 22" cubers

### QUALITY CONSTRUCTION

- NSF approved construction.
- Sanitary stainless steel finish.
- Stainless Steel Liner

### WARRANTY PROTECTION *See Dealer for complete warranty details.*

- 3 years parts and labor on all components

## BH260

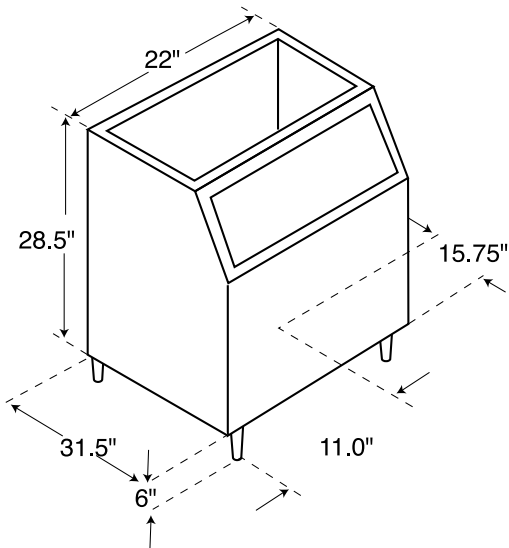


## BH375

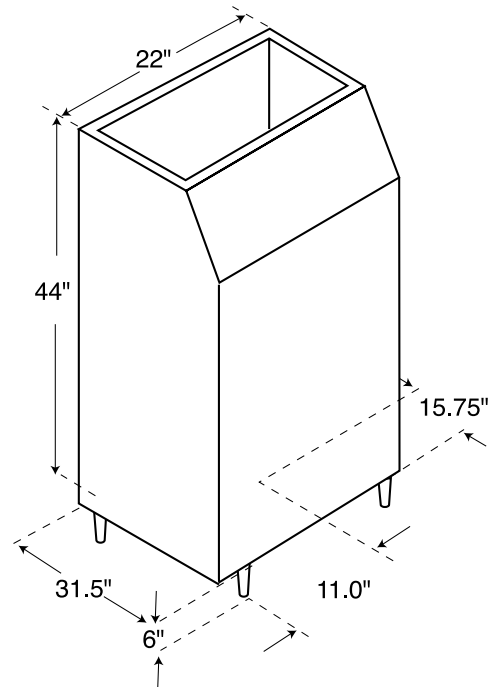


# Bin Specifications


BH260



BH375



NOTE: Allow 6" minimum space at back for ice machine ventilation and utility connections.

SCOTSMAN MODULAR BIN		Certified & rated in accordance with ARI standard 820-95				
Model Number	Dimensions W" x D" x H"	ARI Bin Capacity lbs./kg.	Application Capacity lbs./kg.	Finish*	Drain Connection	Ship. Wt. lbs./kg.
BH260	22 x 31.5 x 34.5	260/118	260/118	SS	1" FPT	94/43
BH375	22 x 31.5 x 50	310/140	400/181	SS	1" FPT	150/68

Bin Caster Kit: KSLBC 2.3" high caster kit (to replace 6" legs)

\*(SS) Stainless steel cabinet with a stainless steel liner.

ARI storage capacity for bins is based on 80% of total volume in cubic feet x 30 lb./ft.<sup>3</sup> average density of ice.

Application capacity for bins is based on 90% of total volume in cubic feet x 34 lb./ft.<sup>3</sup> average density of ice.

Note: Add 6" height for legs.

Scotsman's ice machines and bins are not designed for outdoor installations. Scotsman remote condensers are designed for outdoor installations.

Machine requires voltage indicated on rating name plate. Failures caused by improper voltage are not considered factory defects. Extended periods of operation at temperatures exceeding limitations constitutes misuse under the terms of Scotsman Manufacturer's Limited Warranty, resulting in a loss of warranty coverage. Specifications and design are subject to change without notice.

Consult Your Local SCOTSMAN Representative At:

**YOU'LL VALUE THE DIFFERENCE™**

775 Corporate Woods Parkway • Vernon Hills, IL 60061 • 1-800-SCOTSMAN • (847) 913-9844

Visit our website at: [www.scotsman-ice.com](http://www.scotsman-ice.com) • E-mail: [customer.service@scotsman-ice.com](mailto:customer.service@scotsman-ice.com)